

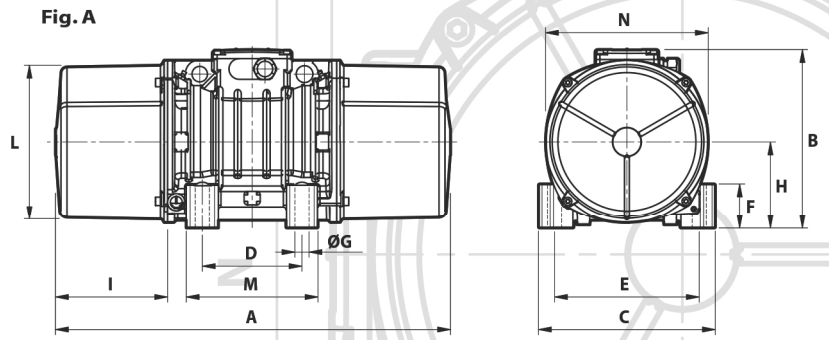


2 poles - 3000/3600 rpm

Description			Mechanical specifications								Electric specifications					
Code	Type	SIZE	Certifications ○ ● ● ● ● ●	Static moment* kgmm		Centrifugal force				Weight kg		Max input power W		Power rating W		
				50 Hz	60 Hz	50 Hz	60 Hz	50 Hz	60 Hz	50 Hz	60 Hz	50 Hz	60 Hz	50 Hz	60 Hz	
three-phase	600384	CDX 3/300-G/D	10	•	30.1	20.4	304	297	2.98	2.91	11.5	11.0	260	270	180	190
	600385	CDX 3/500-G/D	20	•	49.9	32.4	503	471	4.93	4.62	17.0	16.0	450	500	330	390
	600387	CDX 3/800-G/D	30	•	78.0	52.0	785	754	7.70	7.40	23.3	22.4	650	685	500	520
	600389	CDX 3/1100-G/D	35	• • •	110	73.0	1105	1061	10.8	10.4	34.0	33.0	600	710	480	550
	600437	CDX 3/1500-G/D	40	• • •	161	111	1625	1602	15.9	17.7	56.1	53.6	1000	1200	850	925
	600317	CDX 3/2100-G/D	50	• • •	209	144	2114	2080	20.7	20.4	62.0	60.7	1000	1260	900	1095
	600320	CDX 3/2300-G/D	60	• • • •	222	159	2236	2300	21.9	22.5	82.5	79.5	2000	2200	1500	1606
	600323	CDX 3/3200-G/D	70	• • •	344	215	3457	3112	33.9	30.5	108	104	3100	3250	2570	2570
	600486	CDX 3/4700-G/D	80	• • •	469	329	4710	4760	46.2	46.7	144	139	4500	4500	3680	3680
single-phase	600384	CDX 3/300-G/D	10	•	30.1	20.4	304	297	2.98	2.91	11.5	11.0	280	280	180	200
	600385	CDX 3/500-G/D	20	•	49.9	32.4	503	471	4.93	4.62	17.0	16.0	500	500	340	350
	600387	CDX 3/800-G/D	30	•	78.0	52.0	785	754	7.70	7.40	23.3	22.4	700	750	450	500

* Working moment = 2 x static moment.





Dimensional specifications (mm)

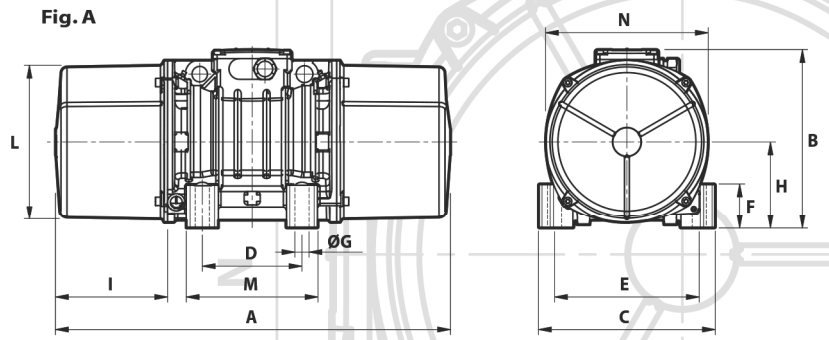
Max. current A		I _a /I _n		Type	Fig.	A	B	C	D	E	Holes		F	H	I	L	M	N	Capacitor (µF)		Cable entry
400 V 50 Hz	460 V 60 Hz	50 Hz	60 Hz								øG	N°							220 V 50 Hz	115 V 60 Hz	
0.60	0.50	3.47	4.20	CDX 3/300-G/D	A	255	191	152	90	125	13	4	28	77.5	54	130	128	150	-	-	NPT 1/2"
0.80	0.75	4.21	4.80	CDX 3/500-G/D	A	288	218	167	105	140	13	4	30	90	65	150	140	175	-	-	NPT 1/2"
1.10	1.00	3.83	6.00	CDX 3/800-G/D	A	314	230.5	205	120	170	17	4	45	102	66	177	162	200	-	-	NPT 1/2"
0.90	0.93	4.78	4.96	CDX 3/1100-G/D	A	446	248.5	210	120	170	17	4	52	112	118	192	160	218	-	-	NPT 3/4"
1.62	1.72	6.00	6.32	CDX 3/1500-G/D	A	468	278.5	235	140	190	17	4	65	116	108	210	185	225	-	-	NPT 3/4"
1.71	1.85	6.95	7.19	CDX 3/2100-G/D	A	520	278.5	235	140	190	22	4	65	116	134	210	185	225	-	-	NPT 3/4"
3.23	3.20	7.47	8.60	CDX 3/2300-G/D	A	572	312	270	155	225	22	4	52	135	146	238.5	200	253	-	-	NPT 3/4"
5.23	5.00	6.37	8.00	CDX 3/3200-G/D	A	594	342.5	310	155	255	23.5	4	65	155	137	279	210	295	-	-	NPT 3/4"
7.13	6.60	6.53	7.00	CDX 3/4700-G/D	A	638	367	335	180	280	26	4	70	175	154	303	235	320	-	-	NPT 3/4"
220 V 50 Hz		115 V 60 Hz																			
1.25	2.40	2.48	3.52	CDX 3/300-G/D	A	255	191	152	90	125	13	4	28	77.5	54	130	128	150	16	25	NPT 1/2"
2.30	4.50	3.35	4.22	CDX 3/500-G/D	A	288	218	167	105	140	13	4	30	90	65	150	140	175	12.5	50	NPT 1/2"
3.25	7.00	4.00	4.14	CDX 3/800-G/D	A	314	230.5	205	120	170	17	4	45	102	66	177	162	200	25	90	NPT 1/2"



4 poles - 1500/1800 rpm

Description		Mechanical specifications								Electric specifications						
Code	Type	SIZE	Certifications ○ ● ● ● ● ●	Static moment* kgmm		Centrifugal force				Weight kg		Max input power W		Power rating W		
				50 Hz	60 Hz	50 Hz	60 Hz	50 Hz	60 Hz	50 Hz	60 Hz	50 Hz	60 Hz	50 Hz	60 Hz	
three-phase	601409	CDX 15/200-G/D	10	●	84.2	58.8	213	214	2.09	2.10	14.0	13.0	170	170	95	95
	601410	CDX 15/400-G/D	20	●	163	113	412	411	4.04	4.03	21.4	20.0	300	350	215	275
	601411	CDX 15/550-G/D	20	●	219	163	552	592	5.42	5.81	22.8	21.4	300	350	215	275
	601412	CDX 15/700-G/D	30	●	286	209	720	760	7.06	7.46	30.3	29.0	525	665	380	490
	601413	CDX 15/1100-G/D	35	● ● ●	415	271	1045	982	10.3	9.63	46.0	41.5	520	660	369	442
	601424	CDX 15/1410-G/D	40	● ● ●	561	400	1413	1449	13.9	14.2	65.6	61.0	750	1000	548	740
	601328	CDX 15/1710-G/D	50	● ● ●	715	485	1798	1757	17.6	17.2	70.0	67.5	1050	1300	882	1105
	601358	CDX 15/2000-G/D	50	● ● ●	817	561	2054	2033	20.1	19.9	75.0	69.0	1050	1300	882	1105
	601329	CDX 15/2410-G/D	60	● ● ● ●	962	674	2420	2444	23.7	24.0	98.0	92.0	1500	1650	1305	1485
	601330	CDX 15/3810-G/D	70	● ● ●	1526	1034	3840	3744	37.7	36.7	133	128	2270	2250	1839	1845
601487	CDX 15/5010-G/D	80	● ● ●	1990	1364	5007	4941	49.1	48.5	167	160	3140	3130	2600	2600	
single-phase	601409	CDX 15/200-G/D	10	●	84.2	58.8	213	214	2.09	2.10	14.0	13.0	210	230	110	120
	601410	CDX 15/400-G/D	20	●	163	113	412	411	4.04	4.03	21.4	20.0	240	320	120	180
	601411	CDX 15/550-G/D	20	●	219	163	552	592	5.42	5.81	23.5	22.0	240	320	120	180
	601412	CDX 15/700-G/D	30	●	286	209	720	760	7.06	7.46	30.3	29.0	450	550	240	300

* Working moment = 2 x static moment.



Dimensional specifications (mm)

Max. current		I_s/I_N		Type	Fig.	A	B	C	D	E	Holes		F	H	I	L	M	N	Capacitor (μF)		Cable entry
400 V 50 Hz	460 V 60 Hz	50 Hz	60 Hz								ϕG	N°							220 V 50 Hz	115 V 60 Hz	
0.41	0.40	2.34	2.75	CDX 15/200-G/D	A	301	191	152	90	125	13	4	28	77.5	77	130	128	150	-	-	NPT 1/2"
0.60	0.60	3.33	3.50	CDX 15/400-G/D	A	350	218	167	105	140	13	4	30	90	96	150	140	175	-	-	NPT 1/2"
0.60	0.60	3.33	3.50	CDX 15/550-G/D	A	392	218	167	105	140	13	4	30	90	117	150	140	175	-	-	NPT 1/2"
0.92	0.98	3.48	3.43	CDX 15/700-G/D	A	394	230.5	205	120	170	17	4	45	102	106	177	162	200	-	-	NPT 1/2"
0.81	0.88	4.65	4.84	CDX 15/1100-G/D	A	446	248.5	210	120	170	17	4	52	112	118	192	160	218	-	-	NPT 3/4"
1.35	1.50	5.59	5.60	CDX 15/1410-G/D	A	468	278.5	235	140	190	17	4	65	116	108	210	185	225	-	-	NPT 3/4"
1.81	1.90	5.09	5.46	CDX 15/1710-G/D	A	520	278.5	235	140	190	22	4	65	116	134	210	185	225	-	-	NPT 3/4"
1.81	1.90	5.09	5.46	CDX 15/2000-G/D	A	594 (50Hz) 520 (60Hz)	278.5	235	140	190	22	4	65	116	171 (50Hz) 134 (60Hz)	210	185	225	-	-	NPT 3/4"
2.95	2.90	7.80	7.76	CDX 15/2410-G/D	A	572	312	270	155	225	22	4	52	135	146	238.5	200	253	-	-	NPT 3/4"
3.80	3.50	6.84	8.09	CDX 15/3810-G/D	A	594	342.5	310	155	255	23.5	4	65	155	137	279	210	295	-	-	NPT 3/4"
5.40	4.85	7.82	9.90	CDX 15/5010-G/D	A	638	367	335	180	280	26	4	70	175	154	303	235	320	-	-	NPT 3/4"
220 V 50 Hz	115 V 60 Hz																				
1.00	2.00	1.50	1.85	CDX 15/200-G/D	A	301	191	152	90	125	13	4	28	77.5	77	130	128	150	5	25	NPT 1/2"
1.20	2.80	2.50	2.50	CDX 15/400-G/D	A	350	218	167	105	140	13	4	30	90	96	150	140	175	32/12	35	NPT 1/2"
1.20	2.80	2.50	2.50	CDX 15/550-G/D	A	392	218	167	105	140	13	4	30	90	117	150	140	175	32/12	40/35	NPT 1/2"
2.15	5.15	5.44	3.63	CDX 15/700-G/D	A	394	230.5	205	120	170	17	4	45	102	106	177	162	200	96/16	160/40	NPT 1/2"

I_s/I_N = ratio between start-up current and maximum current. \bullet Start-up capacitor / Running capacitor.
 Several sizes are available with different mounting bolt patterns. Please contact sales office at Italtibras.



8 poles - 750/900 rpm

Code	Type	Description SIZE	Certifications ○ ● ● ● ● ●	Mechanical specifications								Electrical specifications				
				Static moment* kgmm		Centrifugal force kg				Weight kg		Max input power W		Power rating W		
				50 Hz	60 Hz	50 Hz	60 Hz	50 Hz	60 Hz	50 Hz	60 Hz	50 Hz	60 Hz	50 Hz	60 Hz	
three-phase	602576	CDX 075/150-G/D	20	•	163	163	104	149	1.02	1.46	21.4	21.4	230	250	110	120
	602577	CDX 075/250-G/D	30	•	286	286	181	260	1.76	2.55	30.3	30.3	350	380	190	210
	602578	CDX 075/400-G/D	35	• • •	457	457	288	415	2.83	4.07	47.5	47.5	300	300	150	150
	602581	CDX 075/660-G/D	40	• • •	723	723	456	656	4.47	6.44	70.7	70.7	340	340	184	184
	602552	CDX 075/910-G/D	50	• • •	1012	1012	637	917	6.25	9.00	77.0	77.0	420	500	231	260
	602555	CDX 075/1310-G/D	60	• • • •	1464	1464	922	1327	9.04	13.0	109	109	750	850	480	560
	602558	CDX 075/2110-G/D	70	• • •	2326	2326	1463	2107	14.4	20.7	144	144	1480	1500	1036	1100
	602602	CDX 075/3110-G/D	80	• • •	3421	3421	2152	3099	21.1	30.4	196	196	1850	2100	1320	1400
602513	CDX 075/22000-G	110	• •	28633	24508	18005	22192	177	218	1015	981	10000	13000	8100	10300	

* Working moment = 2 x static moment.

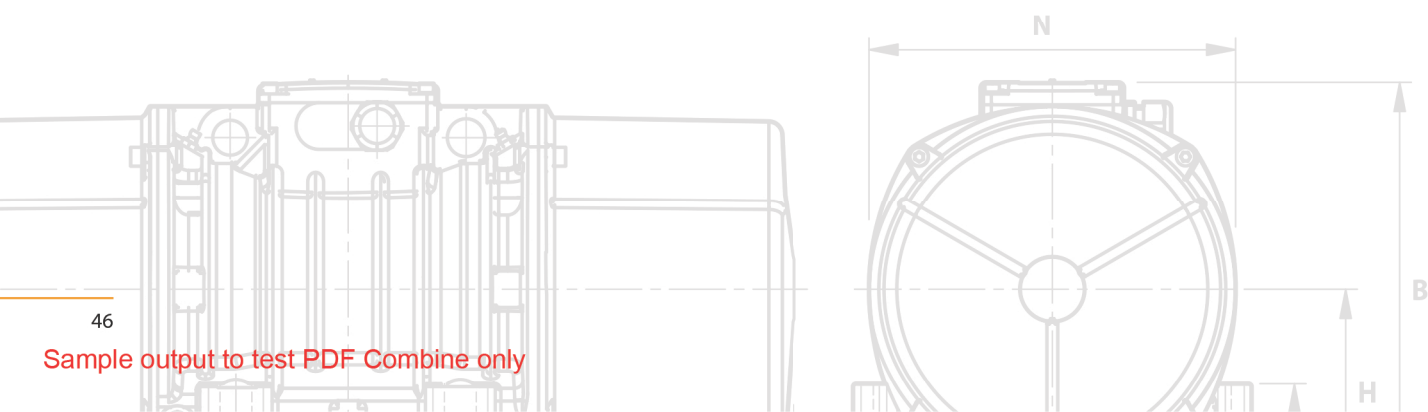


Fig. A

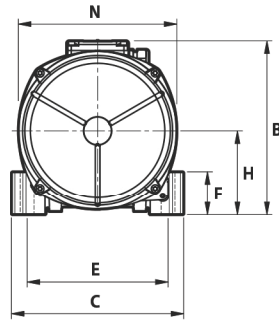
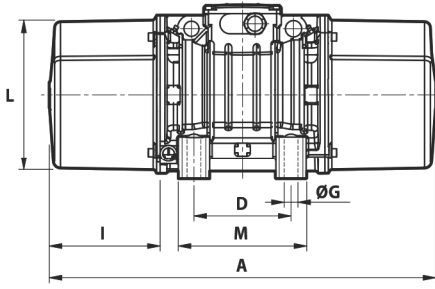
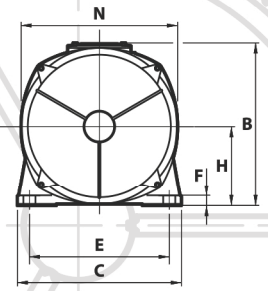
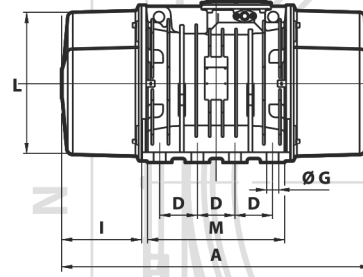


Fig. F



Dimensional specifications (mm)

Max. current		I_A/I_N		Type	Fig.	A	B	C	D	E	Holes		F	H	I	L	M	N	Cable entry
400 V 50 Hz	460 V 60 Hz	50 Hz	60 Hz								$\varnothing G$	N°							
0.85	0.76	2.13	2.11	CDX 075/150-G/D	A	350	218	167	105	140	13	4	30	90	96	150	140	175	NPT 1/2"
1.10	1.05	2.03	2.29	CDX 075/250-G/D	A	394	230.5	205	120	170	17	4	45	102	106	177	162	200	NPT 1/2"
0.57	0.58	2.47	2.50	CDX 075/400-G/D	A	446	248.5	210	120	170	17	4	52	112	118	192	160	218	NPT 3/4"
0.87	0.90	2.87	3.11	CDX 075/660-G/D	A	520	278.5	235	140	190	17	4	65	116	134	210	185	225	NPT 3/4"
1.00	1.10	2.91	2.91	CDX 075/910-G/D	A	594	278.5	235	140	190	22	4	65	116	171	210	185	225	NPT 3/4"
1.52	1.90	3.68	3.05	CDX 075/1310-G/D	A	634	312	270	155	225	22	4	52	135	177	238.5	200	253	NPT 3/4"
3.52	3.45	3.58	3.91	CDX 075/2110-G/D	A	676	342.5	310	155	255	23.5	4	65	155	178	279	210	295	NPT 3/4"
4.85	5.00	4.21	4.70	CDX 075/3110-G/D	A	734	367	335	180	280	26	4	70	175	202	303	235	320	NPT 3/4"
21.4	22.0	6.97	5.50	CDX 075/22000-G	F	1150	607	610	140	520	45	8	38	297	297.5	542	510	582	NPT 1"

I_A/I_N = ratio between start-up current and maximum current.
 Several sizes are available with different mounting bolt patterns. Please contact sales office at Italvibras.



6 poles - 1000/1200 rpm

	Description				Mechanical specifications						Electrical specifications					
	Code	Type	SIZE	Certifications ○ ● ● ● ● ● ●	Static moment* kgmm		Centrifugal force kg kN				Weight kg		Max input power W		Power rating W	
					50 Hz	60 Hz	50 Hz	60 Hz	50 Hz	60 Hz	50 Hz	60 Hz	50 Hz	60 Hz	50 Hz	60 Hz
three-phase	602315	CDX 10/40-G/D	10	●	30.1	30.1	35.0	49.0	0.331	0.476	11.5	11.5	120	135	50	90
	602316	CDX 10/100-G/D	10	●	84.2	84.2	94.3	136	0.925	1.33	14.0	14.0	120	135	50	90
	602317	CDX 10/200-G/D	20	●	163	163	183	264	1.80	2.59	21.4	21.4	185	205	100	120
	602318	CDX 10/310-G/D	30	●	286	209	321	338	3.15	3.32	30.3	29.0	350	380	220	270
	602320	CDX 10/550-G/D	35	● ● ●	457	457	512	737	5.02	7.23	47.5	47.5	300	310	220	230
	602325	CDX 10/810-G/D	40	● ● ●	723	561	809	905	7.94	8.88	70.7	65.4	570	680	370	442
	602274	CDX 10/1110-G/D	50	● ● ●	1012	715	1132	1151	11.1	11.3	79.0	72.0	700	870	483	548
	602277	CDX 10/1610-G/D	60	● ● ● ●	1464	962	1638	1549	16.1	15.2	109	98.0	1040	1250	738	913
	602280	CDX 10/2610-G/D	70	● ● ●	2326	1706	2601	2747	25.5	26.9	144	130	1725	1800	1470	1470
	602365	CDX 10/3810-G/D	80	● ● ●	3422	2380	3826	3831	37.5	37.6	200	182	2100	2300	1700	1850
602201	CDX 10/22000-G	110	● ●	20025	12553	22386	20208	220	198	928	898	15600	19000	11800	14700	

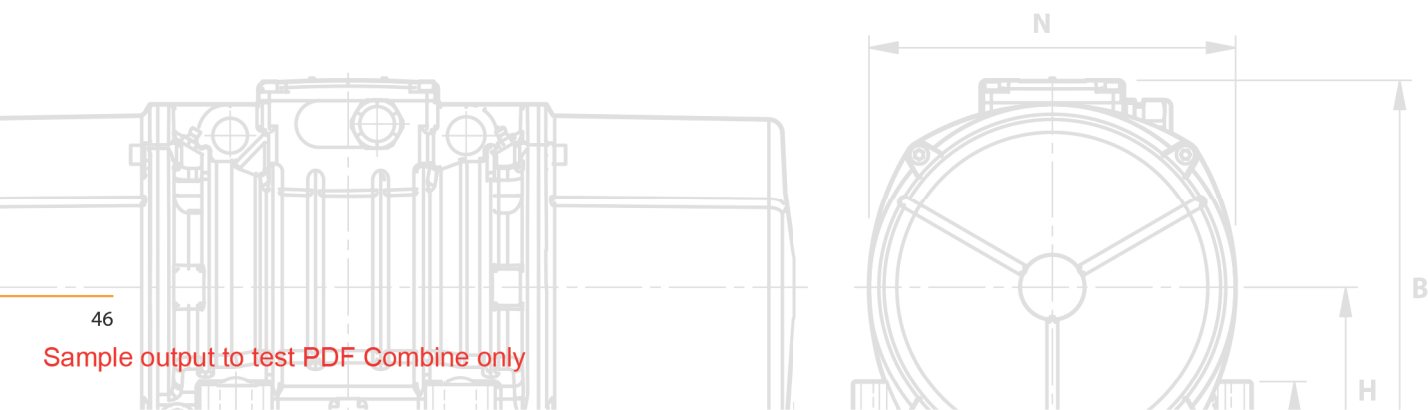


Fig. A

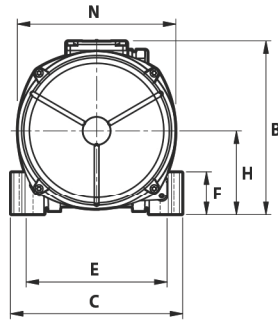
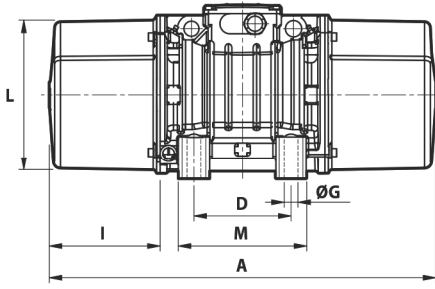
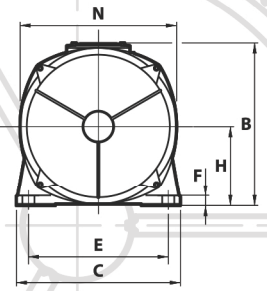
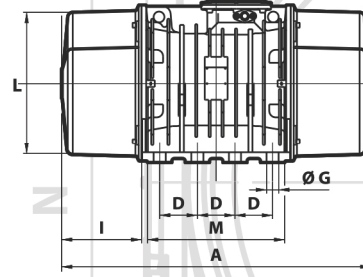


Fig. F



Dimensional specifications (mm)

Max. current A	400 V 50 Hz	460 V 60 Hz	I _A /I _N		Type	Fig.	A	B	C	D	E	Holes				I	L	M	N	Cable entry
			50 Hz	60 Hz								øG	N°	F	H					
0.30	0.30	1.90	2.07	CDX 10/40-G/D	A	255	191	152	90	125	13	4	28	77.5	54	130	128	150	NPT 1/2"	
0.30	0.30	1.90	2.07	CDX 10/100-G/D	A	301	191	152	90	125	13	4	28	77.5	77	130	128	150	NPT 1/2"	
0.50	0.50	2.72	3.10	CDX 10/200-G/D	A	350	218	167	105	140	13	4	30	90	96	150	140	175	NPT 1/2"	
0.72	0.68	2.63	2.79	CDX 10/310-G/D	A	394	230.5	205	120	170	17	4	45	102	106	177	162	200	NPT 1/2"	
0.57	0.61	3.89	3.77	CDX 10/550-G/D	A	446	248.5	210	120	170	17	4	52	112	118	192	160	218	NPT 3/4"	
1.24	1.30	4.00	3.69	CDX 10/810-G/D	A	520 (50Hz) 468 (60Hz)	278.5	235	140	190	17	4	65	116	134 (50Hz) 108 (60Hz)	210	185	225	NPT 3/4"	
1.52	1.65	4.15	4.24	CDX 10/1110-G/D	A	594 (50Hz) 520 (60Hz)	278.5	235	140	190	22	4	65	116	171 (50Hz) 134 (60Hz)	210	185	225	NPT 3/4"	
2.09	2.10	4.93	5.24	CDX 10/1610-G/D	A	634 (50Hz) 572 (60Hz)	312	270	155	225	22	4	52	135	177 (50Hz) 146 (60Hz)	238.5	200	253	NPT 3/4"	
3.80	3.70	5.40	6.03	CDX 10/2610-G/D	A	676	342.5	310	155	255	23.5	4	65	155	178	279	210	295	NPT 3/4"	
4.75	4.75	4.19	4.67	CDX 10/3810-G/D	A	734	367	335	180	280	26	4	70	175	202	303	235	320	NPT 3/4"	
25.2	25.5	5.70	5.88	CDX 10/22000-G	F	1150	607	610	140	520	45	8	38	297	297.5	542	510	582	NPT 1"	