

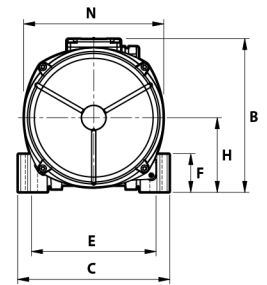
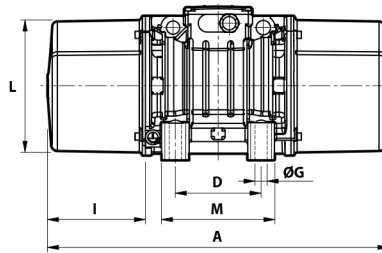
# ITV-VR/ITVAF



CESI KIE



Fig. A



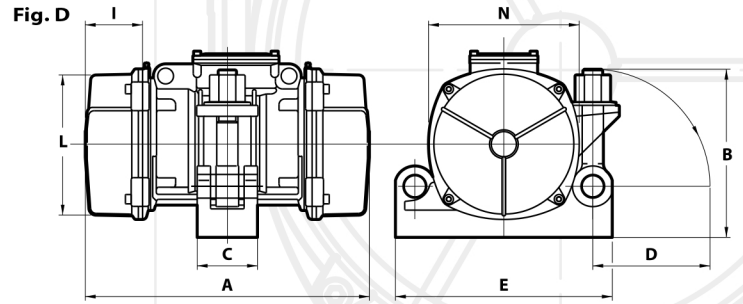
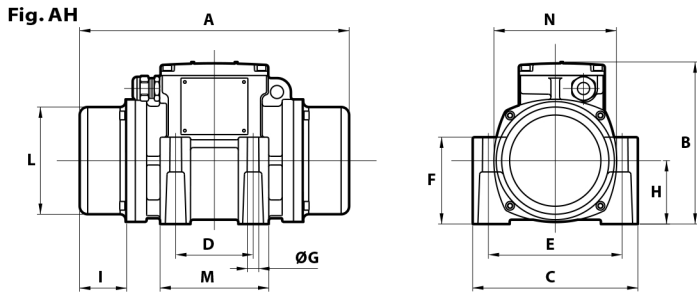
Description				Mechanical specifications			Electrical specifications							
Code	Type	SIZE	SF	Plage vibrat. (vibr./mn.)	Centrifugal force		Weight kg	Max input power W	Max. current A					
					kg	kN			200 Hz	150 Hz	100 Hz	$I_a/I_N$		
								42 V	250 V	42 V	250 V	250 V		
603050	ITVAF 6/600-S02	AF10	-	6000	610	5.98	8.0	500	9.5	1.6	-	-	1.6	4.50
603044	ITVAF 6/1000-S02-BSH	AF30	-	6000	1022	9.70	18	1000	20	3.3	-	-	3.7	6.06
603043	ITVAF 6/1200-S02-BSH	AF30	-	6000	1200	11.3	18	1000	20	3.3	-	-	3.7	6.06
603053	ITVAF 6/1220-S08	AF33	-	6000	1095	10.7	23	1200	23	3.85	-	-	3.9	6.04
603054	ITVAF 6/1510-S08	AF33	-	6000	1484	14.6	25	1700	29	4.9	-	-	4.8	7.10
603037	ITVAF 6/2010-S90	AF50	-	6000	1978	19.4	40	2000	35	5.9	-	-	5.9	8.00
603010	ITVAF 6/3300°	AF68	-	6000	2800	27.5	74	4000	-	-	-	-	11	5.10
604041	ITVAF 9/1110-S08	AF33	-	9000	1230	12	22	1150	-	-	18	-	-	8.52
604042	ITVAF 9/1510-S08	AF33	-	9000	1484	14.6	24	1600	-	-	24	4.0	-	10.4
603049	ITVAF 6/600-RS1-S02	AF10	-	6000	610	5.98	8.0	500	9.5	1.6	-	-	1.6	4.50
603055	ITVAF 6/1220-RS-S08	AF33	-	6000	1095	10.7	21	1200	23	3.85	-	-	3.9	6.04
603056	ITVAF 6/1510-RS-S08	AF33	-	6000	1484	14.6	23	1700	29	4.9	-	-	4.8	7.10
604043	ITVAF 9/1110-RS-S08	AF33	-	9000	1230	12	20	1150	-	-	18	-	-	8.52
604044	ITVAF 9/1510-RS-S08	AF33	-	9000	1484	14.6	22	1600	-	-	24	4.0	-	10.4

° Only supplied at 250V-100Hz, ventilated type, IP44 protection.

$I_a/I_N$  = ratio between start-up current and maximum current.

**ITVAF**  
fixed connection

**ITVAF RS**  
cradle connection



Dimensional specifications (mm)

Type	Fig.	A	B	C	D	E	Holes		F	H	I	L	M	N
							øG	N°						
ITVAF 6/600-S02	A	255	179	152	90	125	13	4	28	73	54	124	128	141
ITVAF 6/1000-S02-BSH	AH	310	186	190	90	154	13	4	100	73	54	124	125	141
ITVAF 6/1200-S02-BSH	AH	310	186	190	90	154	13	4	100	73	54	124	125	141
ITVAF 6/1220-S08	A	289	216.5	215	100	180	17	4	47	93.5	63	170	145	182
ITVAF 6/1510-S08	A	375	216.5	215	100	180	17	4	47	93.5	106	170	145	182
ITVAF 6/2010-S90 °	A	430	230	230	140	190	17	4	49	104	87.5	186	180	200
ITVAF 6/3300 °	A	528	267	310	155	255	23.5	4	122	115	147	265	215	275
ITVAF 9/1110-S08	A	289	216.5	215	100	180	17	4	47	93.5	63	170	145	182
ITVAF 9/1510-S08	A	375	216.5	215	100	180	17	4	47	93.5	106	170	145	182
ITVAF 6/600-RS1-S02	D	255	140	97	97	180	-	-	-	-	54	124	-	141
ITVAF 6/1220-RS-S08	D	289	189	83	140	240	-	-	-	-	63	170	-	182
ITVAF 6/1510-RS-S08	D	375	189	83	140	240	-	-	-	-	106	170	-	182
ITVAF 9/1110-RS-S08	D	289	189	83	140	240	-	-	-	-	63	170	-	182
ITVAF 9/1510-RS-S08	D	375	189	83	140	240	-	-	-	-	106	170	-	182