

# M3-E



The M3-E is designed for use in industrial processes in environments with a potentially explosive atmosphere, caused by gas and dust, in compliance with ATEX Directive (94/9/EC).

In particular, the M3-E can be used in areas 1 and 2 (gas) and in areas 21 and 22 (dusts) according to the layout and the following features:

## 2 poles - 3000/3600 rpm

Description			Mechanical specifications								Electrical specifications								
Code	Type	SIZE	Static moment* kgmm		Centrifugal force				Weight kg		Temp. class (G)	Temp. class (D)	Max input power W		Power rating W		Max. current A		t <sub>E</sub> (s)
			50 Hz	60 Hz	50 Hz	60 Hz	50 Hz	60 Hz	50 Hz	60 Hz			50 Hz	60 Hz	50 Hz	60 Hz	400 V 50 Hz	460 V 60 Hz	
6E0467	M3/65-E-S02	00	6.43	6.43	<b>64.7</b>	<b>93.1</b>	<b>0.635</b>	<b>0.913</b>	4.3	4.3	T4	120°C	105	105	80	80	0.30	0.29	20
6E0465	M3/105-E-S02	00	9.64	9.64	<b>97.0</b>	<b>140</b>	<b>0.950</b>	<b>1.37</b>	5.2	5.2									
6E0462	M3/205-E-S02	00	21.0	21.0	<b>211</b>	<b>304</b>	<b>2.07</b>	<b>2.98</b>	6.0	6.0									
6E0461	M3/305-E-S02	00	31.0	21.0	<b>311</b>	<b>304</b>	<b>3.05</b>	<b>2.98</b>	6.3	6.0									

\* Working moment = 2 x static moment. t<sub>E</sub> (s) = set time t<sub>E</sub> from IEC/EN 60079-7.

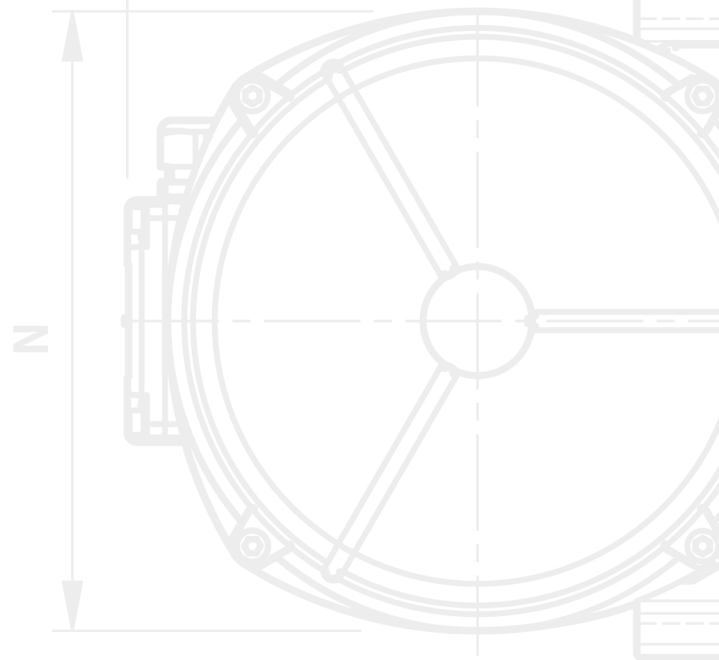
**Category:** II 2 G,D

**Level of protection:** Ex e IIC T3/T4 Gb,  
Ex tb IIIC T120°C Db

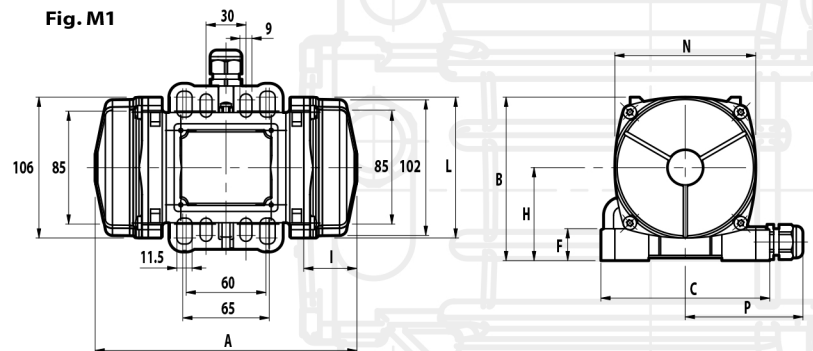
**Temperature class:** Gas: T4 (135°C) Dusts: 120°C

**EC certificate:** LCIE 06 ATEX 6092 X

**Zones of use:** 1, 2, 21, 22



**Fig. M1**



Dimensional specifications (mm)

I <sub>a</sub> /I <sub>N</sub>	Type	Fig.	A	B	C	Multi-hole		Holes		F	H	I	L	M	M	Cable entry thread								
						D	E	øG	N°															
3.48	M3/65-E-S02	M1	197									40												
3.68	M3/105-E-S02	M1	211	123	127	See drawing	9	4	24	70	59	106	86	106	M20x1,5									
3.68	M3/205-E-S02	M1	235																					
3.68	M3/305-E-S02	M1	235																					

I<sub>a</sub>/I<sub>N</sub> = ratio between start-up current and maximum current.