



CESI LICIE

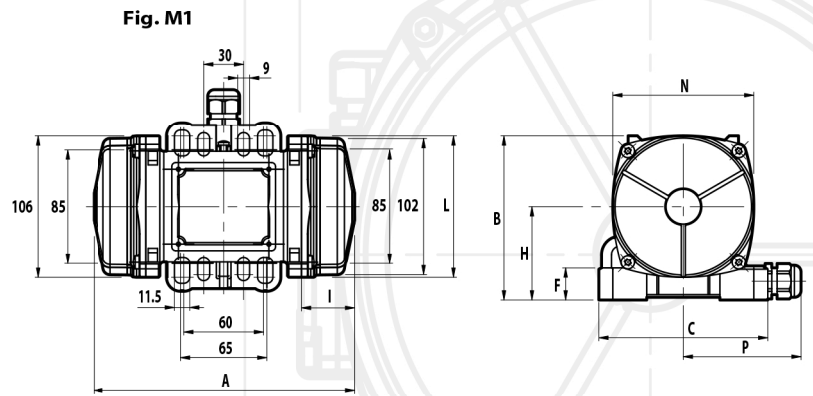


2 poles - 3000/3600 rpm

Description		Mechanical specifications										Electrical specifications						
Code	Type	SIZE	SF	II2D Temp. class	Static moment* kgmm		Centrifugal force kg				Weight kg		Max input power W		Max. current A		I _A /I _N	
					50 Hz	60 Hz	50 Hz	60 Hz	50 Hz	60 Hz	50 Hz	60 Hz	50 Hz	60 Hz	50 Hz	60 Hz	50 Hz	60 Hz
three-phase	600467	M3/65-S02	00	• 120°C	6.43	6.43	64.7	93.1	0.635	0.913	4.3	4.3	120	120	0.27	0.23	3.43	3.90
	600465	M3/105-S02	00	• 120°C	9.64	9.64	97.0	140	0.950	1.37	5.2	5.2	180	180	0.35	0.30	2.68	3.00
	600462	M3/205-S02	00	• 120°C	21.0	21.0	211	304	2.07	2.98	6.0	6.0	180	180	0.35	0.30	2.68	3.00
	600461	M3/305-S02	00	• 120°C	31.0	21.0	311	304	3.05	2.98	6.3	6.0	180	180	0.35	0.30	2.68	3.00
single-phase	600467	M3/65-S02	00	• 120°C	6.43	6.43	64.7	93.1	0.635	0.913	4.3	4.3	110	110	0.56	1.52	2.24	2.24
	600465	M3/105-S02	00	• 120°C	9.64	9.64	97.0	140	0.950	1.37	5.2	5.2	165	165	0.75	1.52	1.67	2.24
	600462	M3/205-S02	00	• 120°C	21.0	21.0	211	304	2.07	2.98	6.0	6.0	165	165	0.75	1.52	1.67	2.24
	600461	M3/305-S02	00	• 120°C	31.0	21.0	311	304	3.05	2.98	6.3	6.0	165	165	0.75	1.52	1.67	2.24

220 V 50 Hz 115 V 60 Hz





Dimensional specifications (mm)

Type	Fig.	A	B	C	Multi-hole		Holes		F	H	I	ØL	M	N	P	Capacitor (µF)		Cable entry thread
					D	E	øG	N°								220 V 50 Hz	115 V 60 Hz	
M3/65-S02	M1	197									40							
M3/105-S02	M1	211	123	127	See drawing		9	4	24	70	47	106	86	106	88,5	-	-	M20x1,5
M3/205-S02	M1	235									59							
M3/305-S02	M1	235									59							
M3/65-S02	M1	197									40							
M3/105-S02	M1	211	123	127	See drawing		9	4	24	70	47	106	86	106	88,5	10	28	M20x1,5
M3/205-S02	M1	235									59							
M3/305-S02	M1	235									59							



CESI LCIE

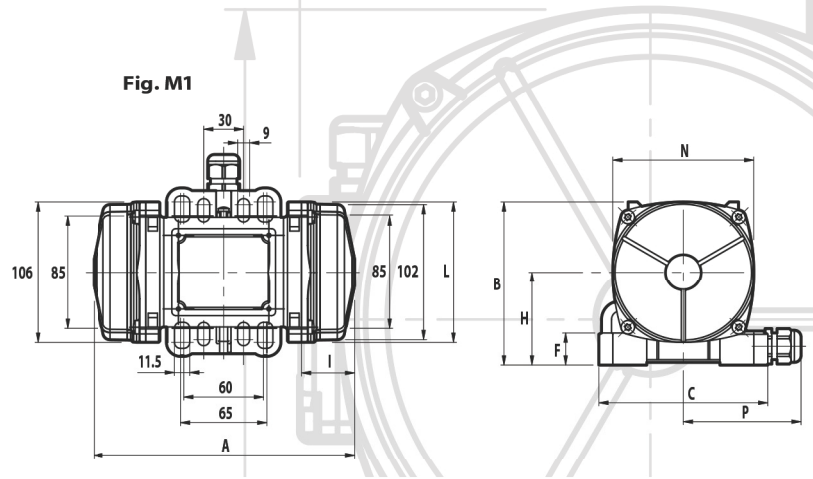


4 poles - 1500/1800 rpm

	Description					Mechanical specifications						Electrical specifications							
	Code	Type	SIZE	SF [®]	I12D Temp. class	Static moment* kgmm		Centrifugal force				Weight kg		Max input power W		Max. current A		I _a /I _N	
						50 Hz	60 Hz	50 Hz	60 Hz	50 Hz	60 Hz	50 Hz	60 Hz	50 Hz	60 Hz	400 V 50 Hz	460 V 60 Hz	50 Hz	60 Hz
three-phase	601514	M15/36-S02	00	•	120°C	12.0	12.0	30.2	43.5	0.30	0.43	5.4	5.4	85	95	0.21	0.20	1.78	1.95
	601515	M15/81-S02	00	•	120°C	31.0	21.0	77.9	76.1	0.76	0.75	6.3	6.0	85	95	0.21	0.20	1.78	1.95
single-phase	601514	M15/36-S02	00	•	120°C	12.0	12.0	30.2	43.5	0.30	0.43	5.4	5.4	90	100	0.43	1.00	1.20	1.30
	601515	M15/81-S02	00	•	120°C	31.0	21.0	77.9	76.1	0.76	0.75	6.3	6.0	90	100	0.43	1.00	1.20	1.30

* Working moment = 2 x static moment. I_a/I_N = ratio between start-up current and maximum current.





Dimensional specifications (mm)

Type	Fig.	A	B	C	Multi-hole		Holes		F	H	I	ØL	M	N	P	Capacitor (µF)		Cable entry thread
					D	E	øG	N°								220 V 50 Hz	115 V 60 Hz	
M15/36-S02	M1	235	123	127	See drawing	9	4	24	70	59	106	86	106	88.5	-	-	M20x1,5	
M15/81-S02	M1																	
M15/36-S02	M1	235	123	127	See drawing	9	4	24	70	59	106	86	106	88.5	3.15	25	M20x1,5	
M15/81-S02	M1																	