

MICRO



The MICRO series has been designed for continual industrial service in processes where a reduced centrifugal force and reduced overall vibrator size are required. MICRO vibrators are used in many applications in feeding, transport, screening, sizing, separation processes, compaction in the automatic machines used in the chemical industry, food industry, pharmaceuticals, packaging and automation in general.

The MICRO series has been conceived to guarantee higher performance in all conditions and environments and complies with the most recent IEC and EN international standards for use in atmospheres with potentially explosive powders. In particular, the MICRO series can be used in area 22.

	Description				Mechanical specifications								Electrical specifications			Type
	Code	Type	Ex	II3D Temp. class	rpm		Centrifugal force		Weight		Max input power	Max. current				
					50 Hz	60 Hz	50 Hz	60 Hz	50 Hz	60 Hz	50 Hz	60 Hz	50 Hz	380/480 V	50/60 Hz	
three phase	600449	M3/20-S02	□	100°C	2.0	2.0	20	29	196	284	1.97	1.97	35	0.15		M3/20-S02
	600450	M3/45-S02	□	100°C	4.5	4.5	45	65	441	638	2.20	2.20	45	0.16		M3/45-S02
single-phase	600448	M3/4-S02	□	100°C	0.4	0.4	4	6	39	59	0.92	0.92	24	0.13	0.30	M3/4-S02
	600449	M3/20-S02	□	100°C	2.0	2.0	20	29	196	284	1.97	1.97	35	0.17	0.42	M3/20-S02
	600450	M3/45-S02	□	100°C	4.5	4.5	45	65	441	638	2.20	2.20	45	0.20	0.46	M3/45-S02

□ The CSA version can be supplied on request and does not envision supply of the capacitor.

Category: II 3 D

Level of protection: Ex tc IIIC T100°C Dc IP65

Temperature class: T 100°C

Zone of use: 22

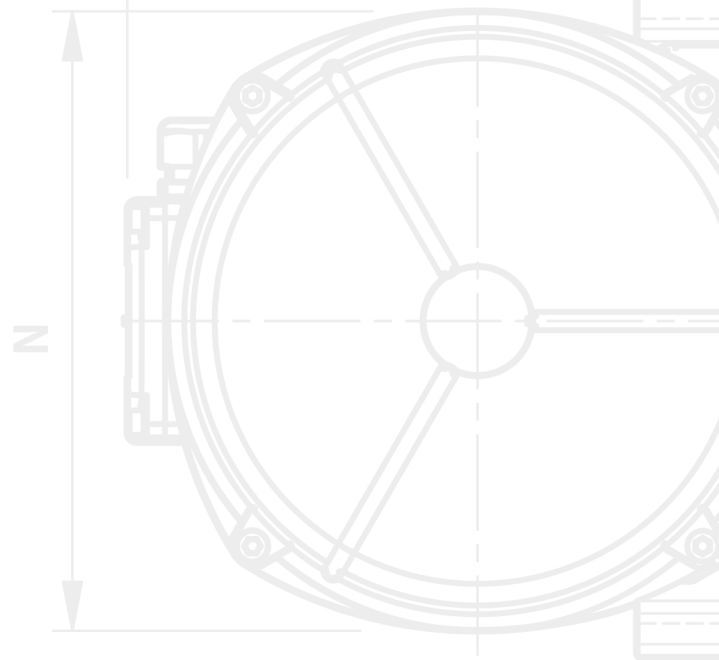
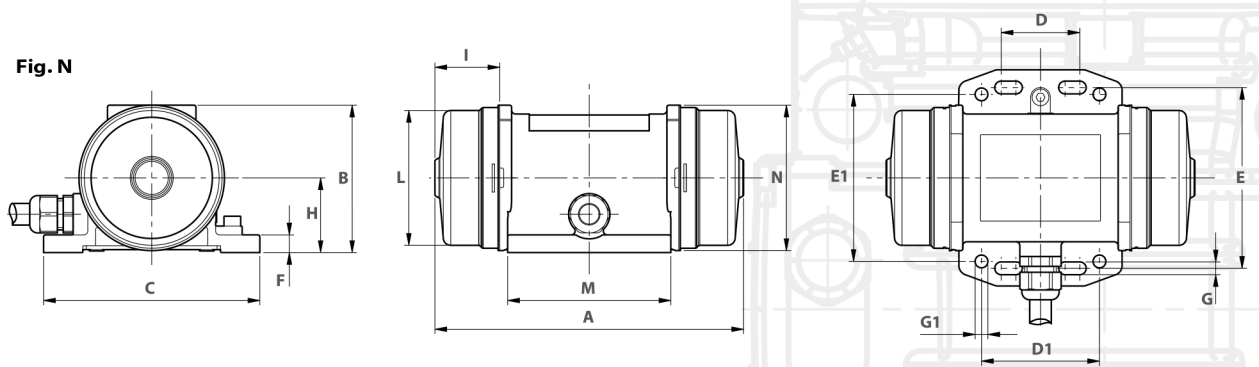


Fig. N



Dimensional specifications (mm)

Fig.	A	B	C	D	D1	E	E1	F	G	Fori		H	I	L	M	N	Cable entry thread
										øG1	N°						
N	157	75	110	25-40	60	92	85	9	6.5	6.5	8	38	33	69	83	74	M16x1.5
N	172	75	110	25-40	60	92	85	9	6.5	6.5	8	38	40.5	69	83	74	M16x1.5
N	113	66.5	90	25-40	-	75	-	9	5.5	-	4	34	25	60	59	65	M12x1.5
N	157	75	110	25-40	60	92	85	9	6.5	6.5	8	38	33	69	83	74	M16x1.5
N	172	75	110	25-40	60	92	85	9	6.5	6.5	8	38	40.5	69	83	74	M16x1.5